

INSTALLATION INSTRUCTIONS

DESCRIPTION: Accessory Front Door Audio Kit

PART NUMBER: B4J-H81C0-S0

MODEL: 2021+ Wolverine RMax2 and RMax4

⚠ WARNING

Please read and understand these instructions completely before installation to avoid possible injury, or damage to the accessory or vehicle.

NOTICE:

Installation of this kit requires a torque wrench and should be performed by an authorized Yamaha dealer or a qualified mechanic.

WARRANTY INFORMATION:

In the United States, see your Yamaha dealer for a copy of the Yamaha Genuine Parts and Accessories Limited Warranty.

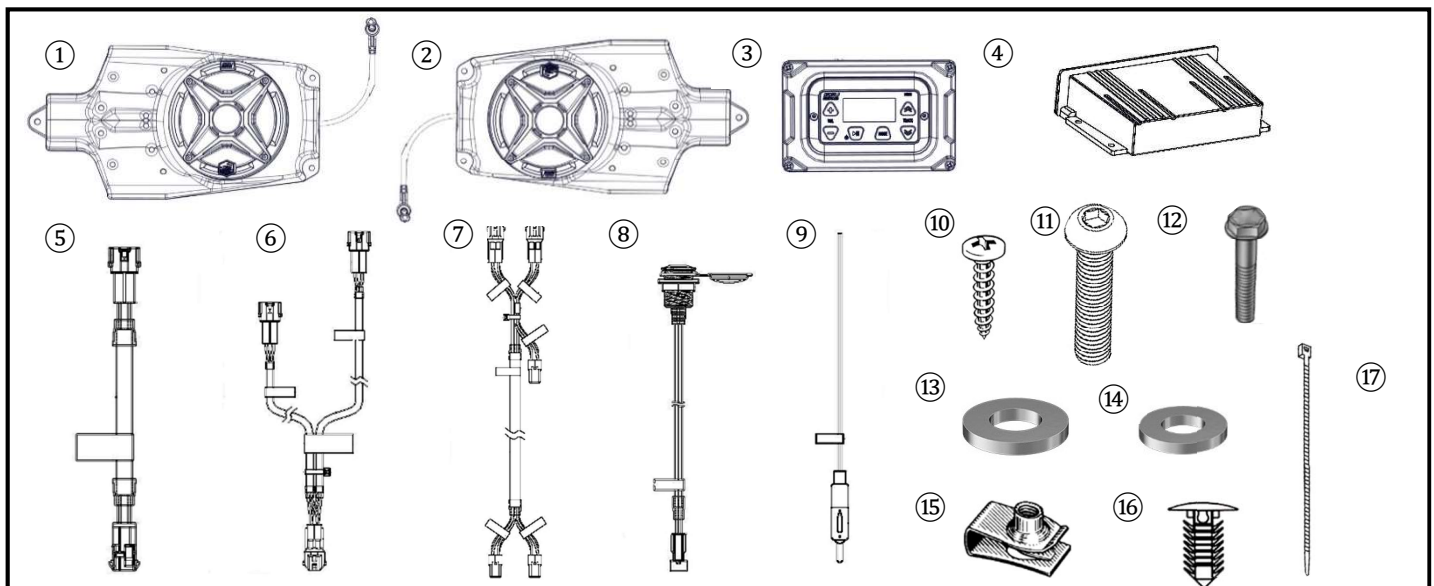
DEALER OR INSTALLER:

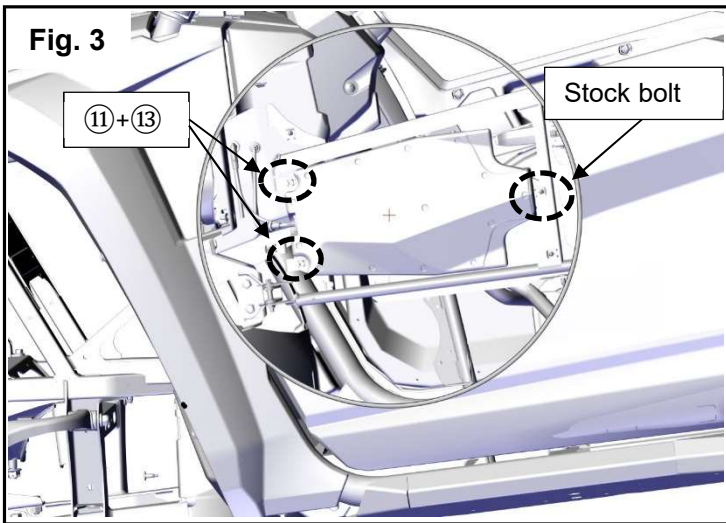
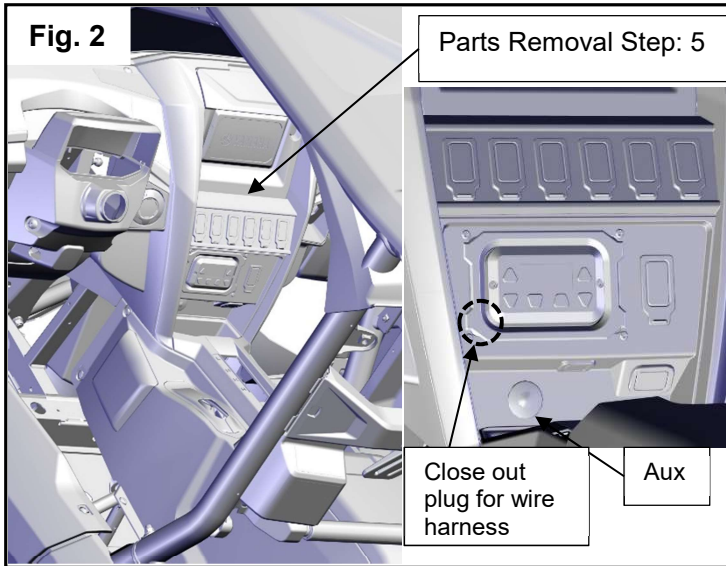
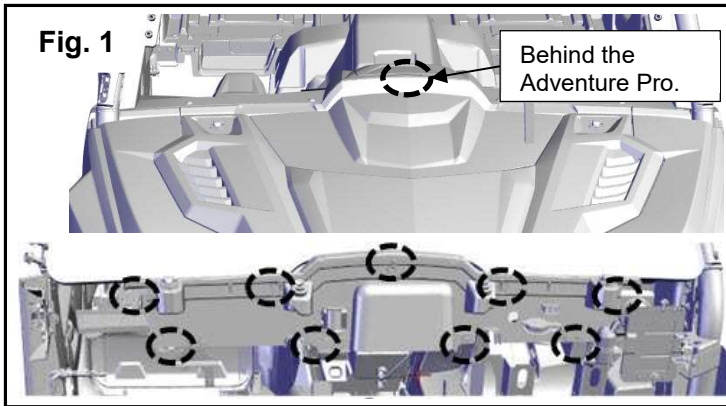
These instructions contain important information for future reference and *must* be given to the customer.

PARTS LIST:

No.	Part Number	Description	Qty
--	B4J-H81C0-S0	Audio Set Kit	--
①	B4J-H8160-V0	Speaker Assembly Driver Side	1
②	B4J-H8170-V0	Speaker Assembly Passenger Side	1
③	B4J-H8110-V0	Radio Assembly	1
④	BG4-H3391-V0	Brain Box	1
⑤	B4J-H2590-V0	Power Harness	1
⑥	B4J-H259L-V0	Amp Output to Speakers	1
⑦	B4J-H259M-V0	Amp to B-Pillar Cable	1
⑧	B4J-H21G1-V0	Aux Input Cable	1
⑨	BG4-H6268-V0	FM Antenna	1
⑩	B4J-H3358-V0	Phillips Pan Head Screw	4
⑪	90149-06001	M6 x16 Button Head Screw	6
⑫	90101-05033	M5 x15 Hex Head Screws	4
⑬	90201-06029	M6 Flat Washer	4
⑭	92990-05600	M5 Washer	4
⑮	90183-05008	M5 Spring Nut	4
⑯	90269-05073	Christmas Tree Rivet	12
⑰	BG4-H357E-V0	Cable Ties	10

* Part supplied with kit only and not available separately.





PREPARATION:

- Place the vehicle on a secure and level surface.
- Set the parking brake.
- Clean the mounting surfaces before beginning installation.

PARTS REMOVAL:

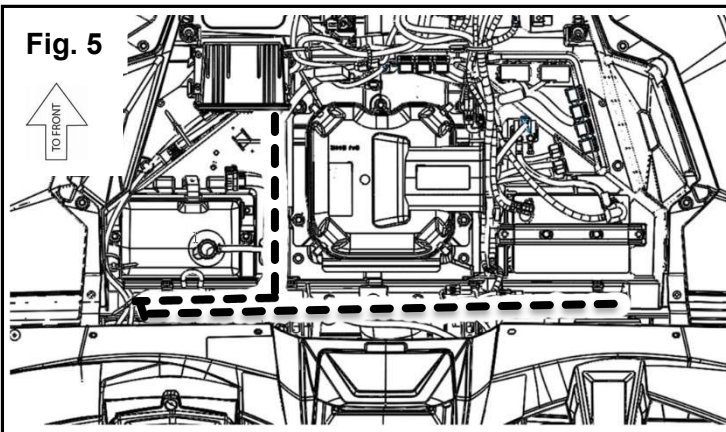
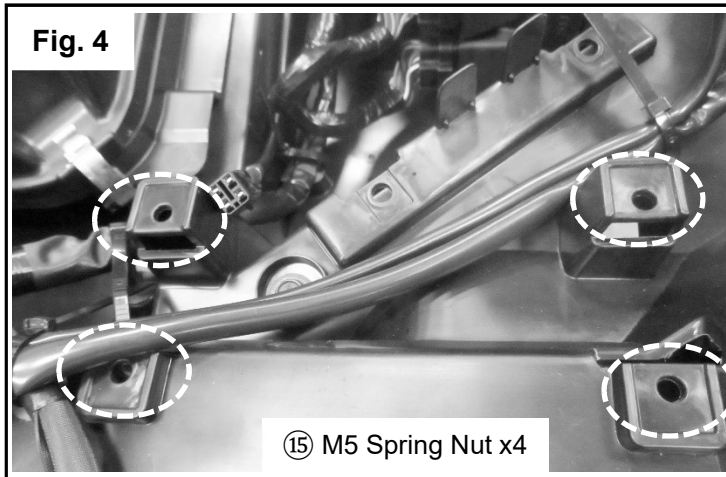
1. Remove hood – refer to the service manual. (Fig. 1)
2. Remove the inner firewall. It is held in place by nine bolts along the top and bottom.
3. Remove the single bolt behind the Adventure Pro and retain for reuse.
4. Disconnect the speed key wiring harness and vent hoses. Retain the stock hardware. (Fig. 1)
5. Remove the following in accordance with the service manual. (Fig. 2)
 - Center dash cover
 - Center console cover and center console.
 - Remove both driver and passenger side inner door panels.
 - Retain all stock hardware for reuse except for the push rivets for the inner door panels.

INSTALLATION: Door Speakers

1. Remove the speaker covers on the inner door panels.
2. Align the ① Speaker Assembly Driver Side and remove the stock bolts in the door for the mounting locations. (Fig. 3) (SSV Logo should be right side up.)
3. Remove the stock bolt for the rear mounting location and reattach it with the ① Speaker Assembly Driver Side in place. Torque to 5 Nm (0.5 kg-m or 3.6 lb-ft). (Fig 3)
4. Thread in two ⑪ M6 x16 Button Head Screw with two ⑬ M6 Flat Washers into the front mounting locations in the door frame. Torque to 5Nm (0.5 kg-m or 3.6 lb-ft).
5. Repeat Steps 1- 4 on the passenger side door with ② Speaker Assembly Passenger Side.
6. Route both wire harnesses into the holes in the dash sides. Seat the grommets in the holes in the dash. This will route them into the front wheel wells and up into the hood section when connected to the ⑥ Amp Output to Speakers.
7. Reinstall both inner door panels with the ⑯ Christmas Tree Rivets.

INSTALLATION: Brain Box and Radio Assembly.

1. Under the hood, on the driver side, look for the raised section that will fit the ④ Brain Box. Insert four ⑮ M5 Spring Nuts into the

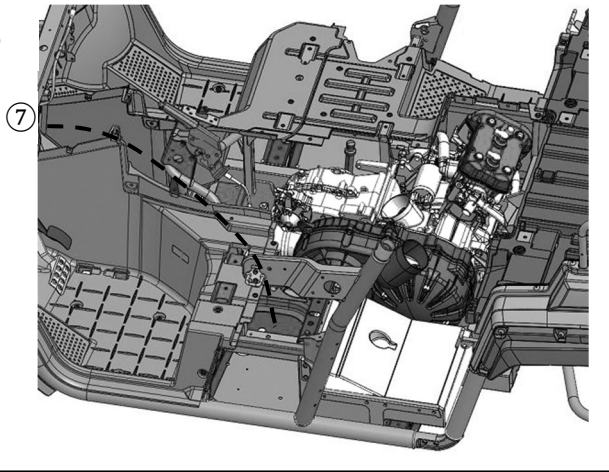


- four mounting locations with the threaded side facing downward. (Fig. 4)
2. Place the ④ Brain Box over the mounting location and thread in four ⑫ M5 x15 Hex Head Screws with four ⑭ M5 Washers and torque to 2 Nm (0.2 kg-m or 1.4 lb-ft). (Fig. 4)
 3. Remove the close out plug from the back of the pocket in the center dash. (Fig. 2)
 4. Insert the ③ Radio Assembly wire harness through the hole and up into the hood section. (Fig. 2)
 5. Align the ③ Radio Assembly over the pocket and thread in four ⑩ Phillips Pan Head Screws and torque to .7Nm (0.07 kg-m or 0.5 lb-ft) (Fig. 2)
 6. Remove the close out plug for the ⑧ Aux Input Cable wire harness. Unthread the retaining nut and insert the wire harness into the hole and attach the ⑧ Aux Input Cable to the center dash by threading the retaining nut back on until it is hand tight. (Fig. 2)
 7. Route both harnesses for the ③ Radio Assembly and ⑧ Aux Input Cable up to the hood section.
 8. Connect all the wire harnesses to the ④ Brain Box using the table below.

③ Radio Assembly	Wire control panel
⑤ Power Harness	Power connector
⑥ Amp Output to Speakers	Front Speakers
⑦ Amp to B-Pillar Cable	Rear Speakers
⑧ Aux Input Cable	Line in
⑨ FM Antenna	Antenna
Line out	Line out/ Ext. Amp Trigger (Subwoofer)
USB Female	USB 1 AMP (Charge only)

9. The ⑨ FM Antenna will route across the inner fire wall and secure with ⑰ Cable ties. (Fig. 5)
10. Route the ⑦ Amp to B- Pillar Cable down through the center dash and center console. Cable tie the wire in a coil under the driver's seat. Refer to the Overhead Pod Add-on Kit instructions if this kit is being installed. (Fig. 6)

Fig. 6



PARTS REINSTALL:

1. Install the inner firewall. Reconnect the speed key wiring harness. Reuse the stock hardware. It is held in place by nine bolts along the top and bottom. (Fig. 1)
 2. Install the following in accordance with the service manual.
 - Center dash bezel first and then the center dash assembly.
 - Center console bezel, center console and upper dash.
 - Reconnect and install the Magellan.
- Install the hood – refer to the service manual.

MAINTENANCE:

Periodically, check torque on all hardware. If loose hardware is found, re-torque to specification.

CARE AND CLEANING:

Clean painted metal parts with a clean soft cloth and mild soap and water solution. Rinse and dry.

CUSTOMER SERVICE:

For further information see your Yamaha dealer.

ESTIMATED TIME TO INSTALL: 3.0 HRS.